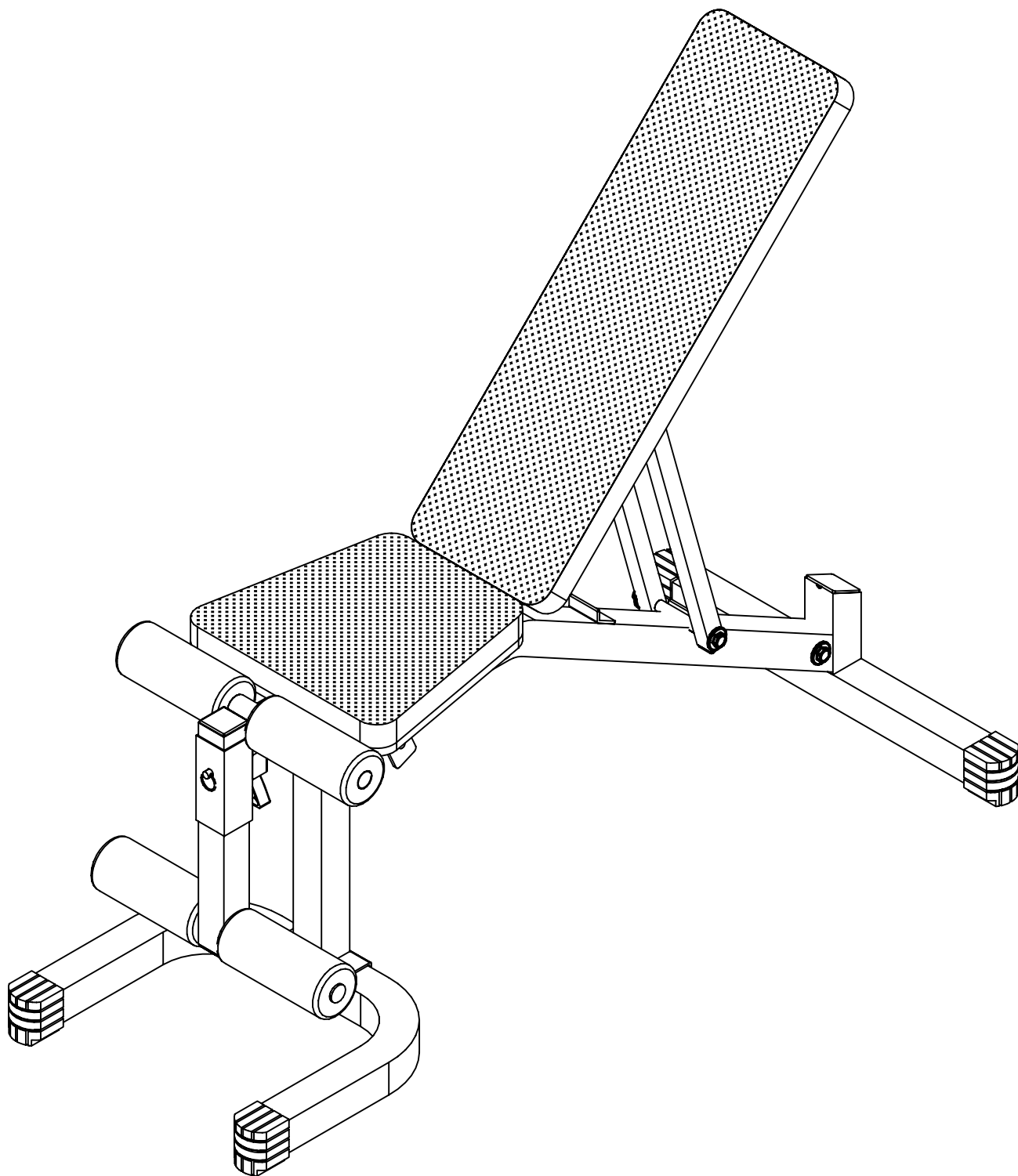
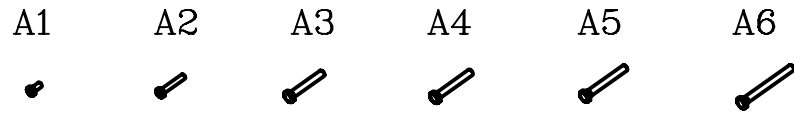


PFID-130.2

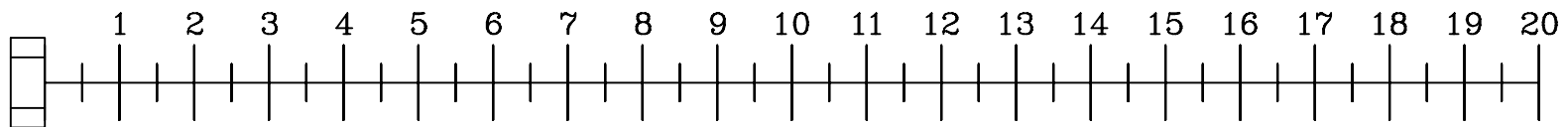
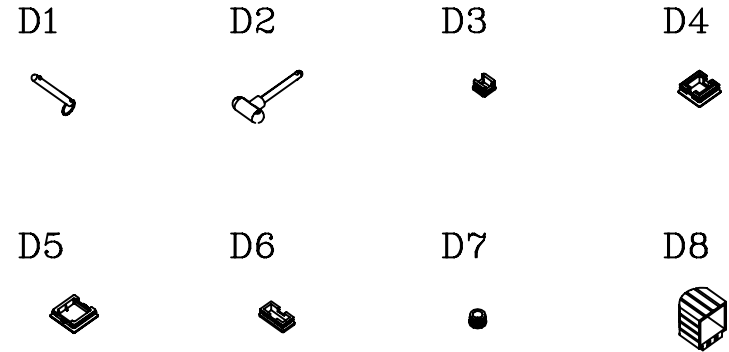


VERSION 0302

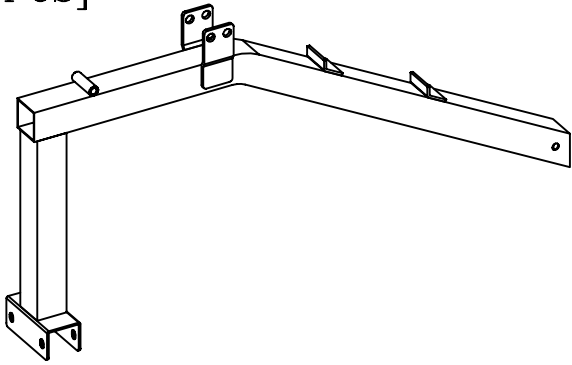
	Qty.
A1. M8X20L HEX HEAD BOLT -----	[6PCS]
A2. M8X45L HEX HEAD BOLT -----	[1PCS]
A3. M10X65L HEX HEAD BOLT-----	[1PCS]
A4. M10X70L HEX HEAD BOLT-----	[2PCS]
A5. M10X80L HEX HEAD BOLT-----	[2PCS]
A6. M10X145L HEX HEAD BOLT -----	[2PCS]
B1. M10 NYLON LOCK NUT -----	[7PCS]
C1. M8 SPRING WASHER-----	[7PCS]
C2. M8 (I.D)WASHER -----	[7PCS]
C3. M10 (I.D)WASHER -----	[14PCS]



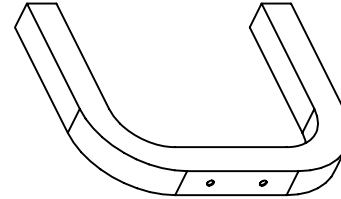
	Qty.
D1. QUICK RELEASE RING PIN (8250-015)---	[1PCS]
D2. QUICK RELEASE BALL PIN (8250-016)---	[1PCS]
D3. 1"X1" END CAP (9211-001) -----	[4PCS]
D4. 45X45 END CAP (9211-004) -----	[2PCS]
D5. 2"X2" END CAP (9211-005)-----	[1PCS]
D6. 1"X2" END CAP (9211-009)-----	[1PCS]
D7. ROUND END CAP (9211-016)-----	[4PCS]
D8. 2"X2" FOOT CAP (9212-003)-----	[4PCS]



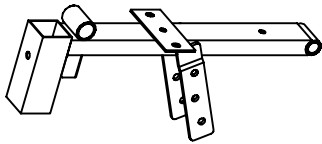
A [1PCS]



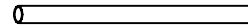
F [1PCS]



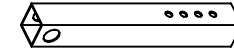
B [1PCS]



G [2PCS]



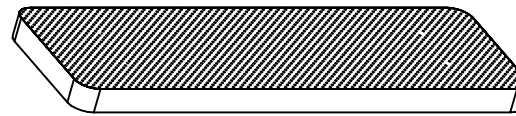
H [1PCS]



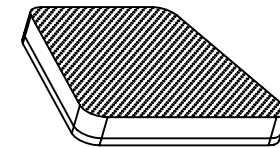
C [1PCS]



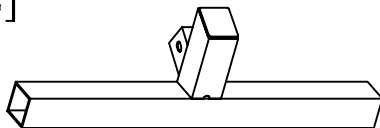
I [1PCS]



J [1PCS]



D [1PCS]



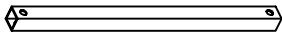
K [4PCS]



L [1PCS]



E [2PCS]



PFID-130.2

